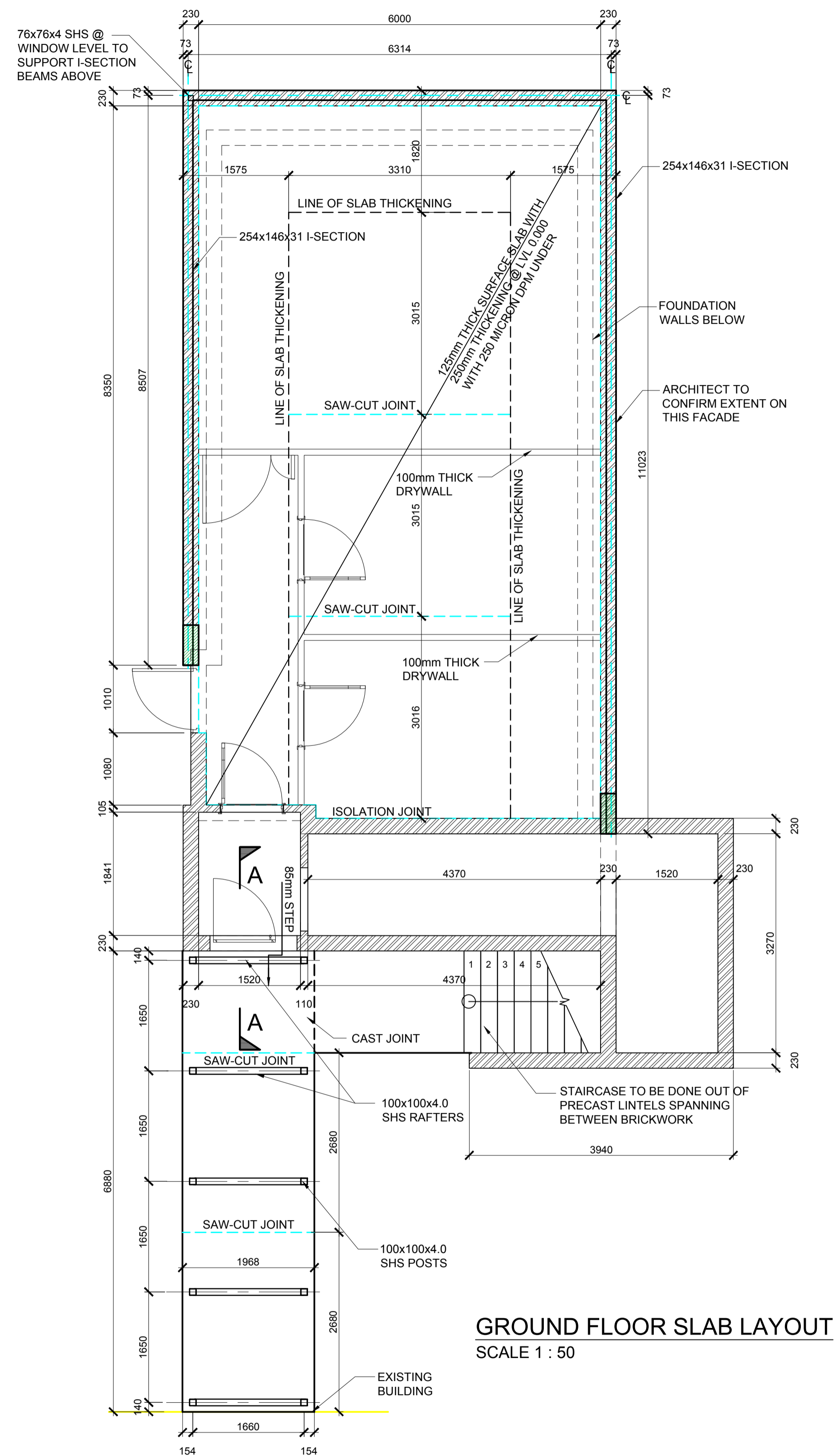
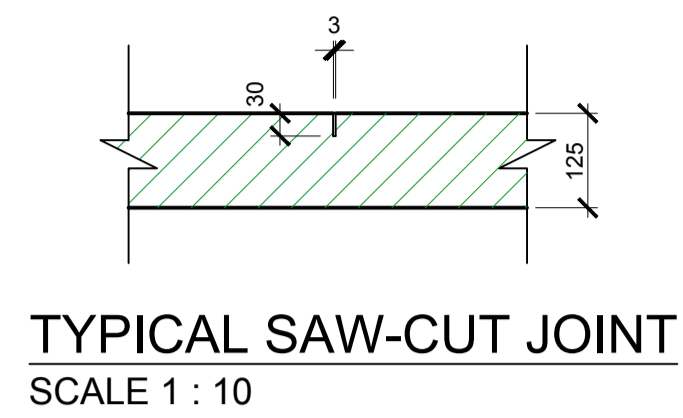


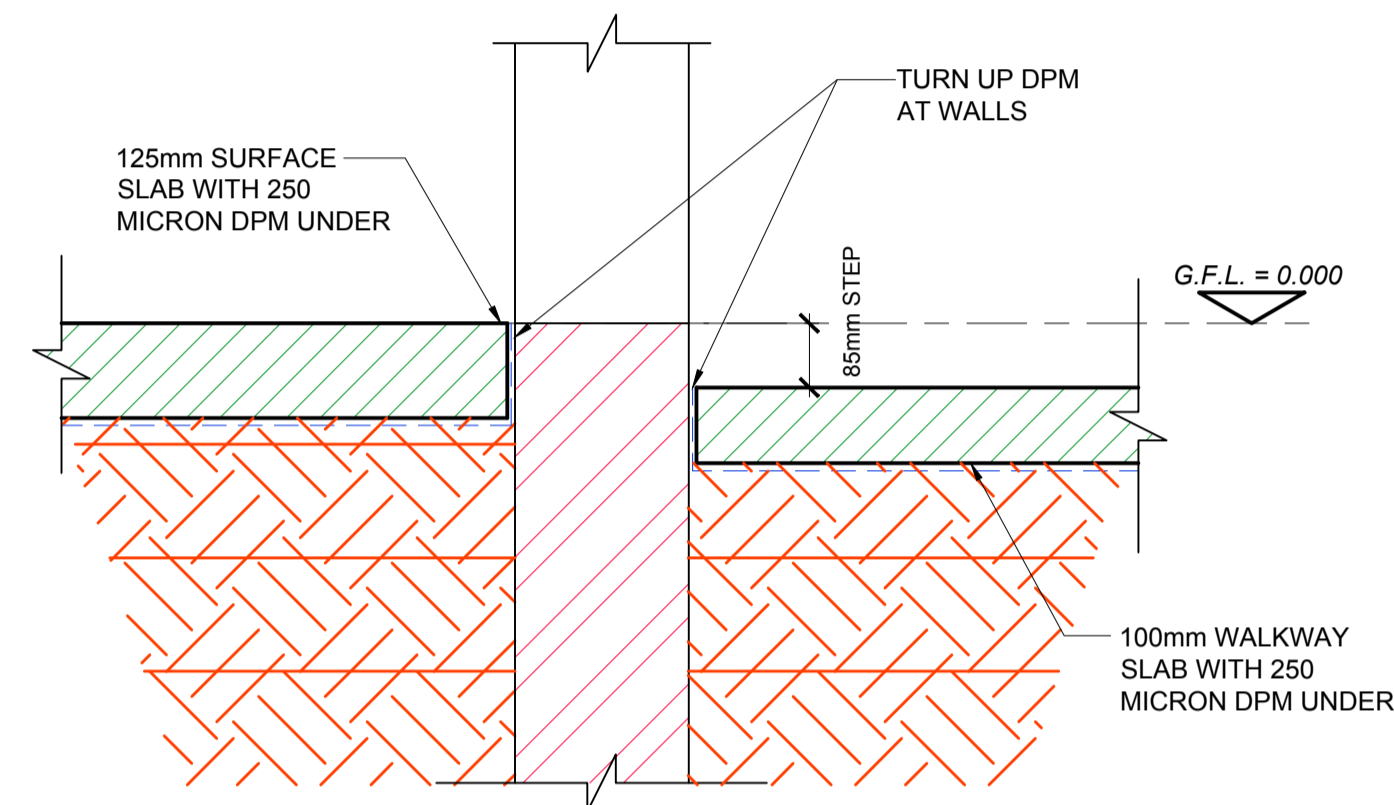
ISSUED FOR  
TENDER  
INFORMATION  
ONLY



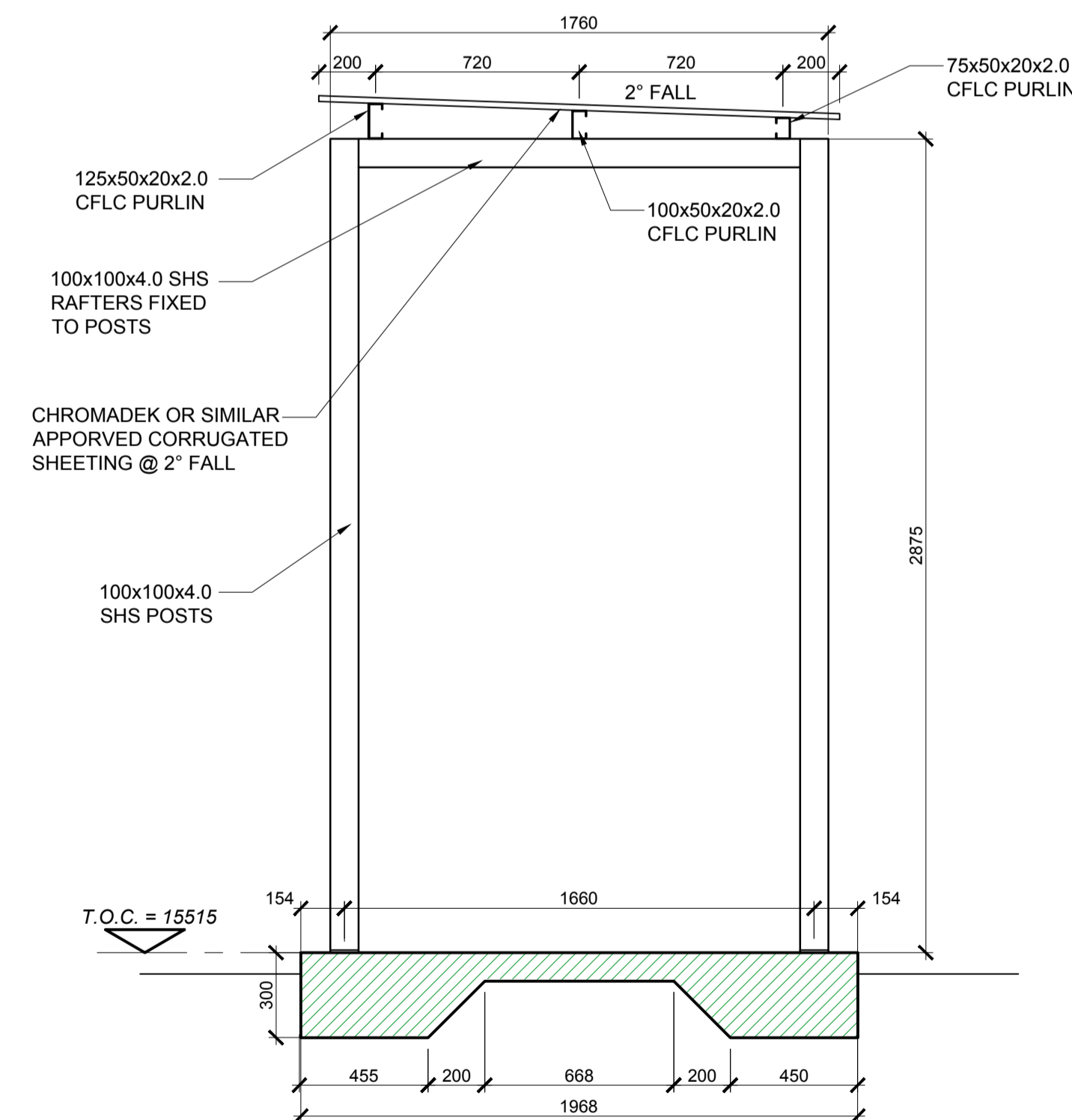
GROUND FLOOR SLAB LAYOUT  
SCALE 1 : 50



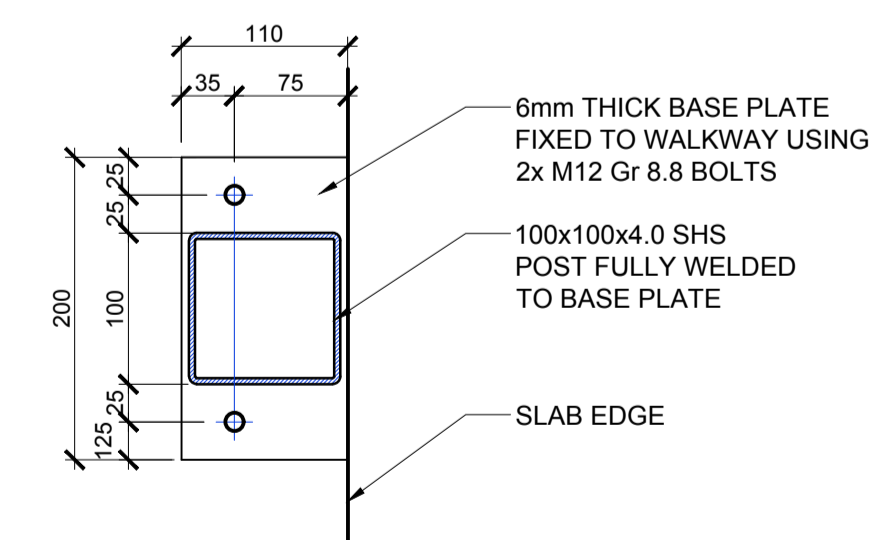
TYPICAL SAW-CUT JOINT  
SCALE 1 : 10



SECTION A-A  
SCALE 1 : 10



WALKWAY TYPICAL PORTAL SECTION  
SCALE 1 : 20



TYPICAL SHS POST BASE PLATE  
SCALE 1 : 5

No	Date	Revisions	Drawn
D	20/07/2018	DIMENSIONS & WALKWAY AMENDED	PAS
C	17/07/2018	AMENDED AS PER ARCHITECT'S REVISION	PAS
B	25/10/2017	STAIRCASE & DRAIN ADDED	PAS
A	18/10/2017	FOR TENDER	PAS

**CALIBRE.**  
Civil and Structural Engineering  
011 463 2393 :Tel info@calibrece.co.za 011 463 2347 :Fax

Client  
**THE UNIVERSITY OF THE WITWATERSRAND.**

Architect  
**LEMONpebble architects**

Project  
**ADDITIONS TO SBIMB PHASE 2**

Drawing Title  
**GROUND FLOOR SLAB LAYOUT & SECTIONS**

	Designed	Date	Dwg/Size
Designed	JB	OCT 2017	A1
Drawn	PAS	OCT 2017	Scale
Checked			AS SHOWN
Approved			Status
			T

0986 - DRG - STR - D - 002

Revision: A B C D  
Copyright Reserved