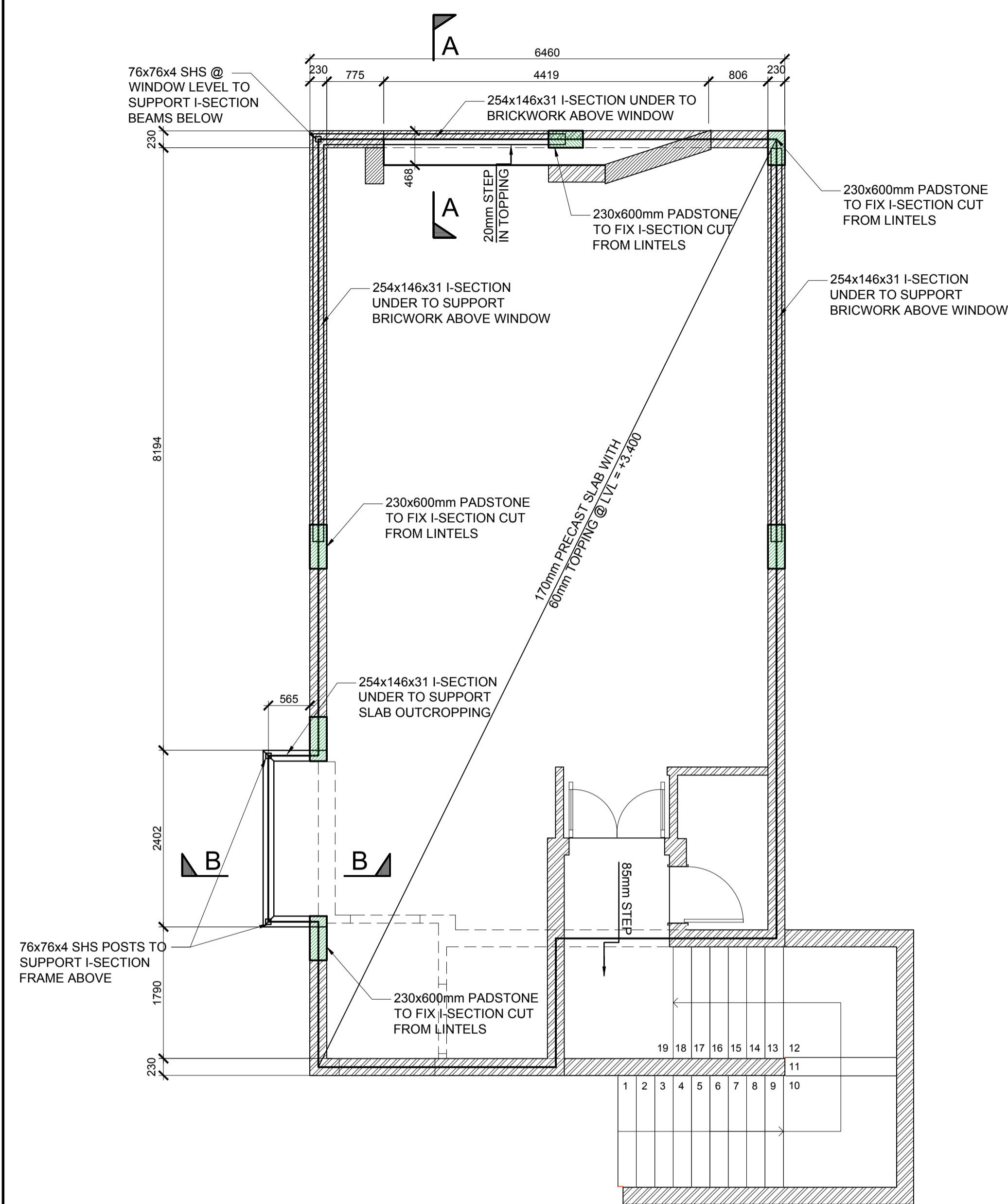
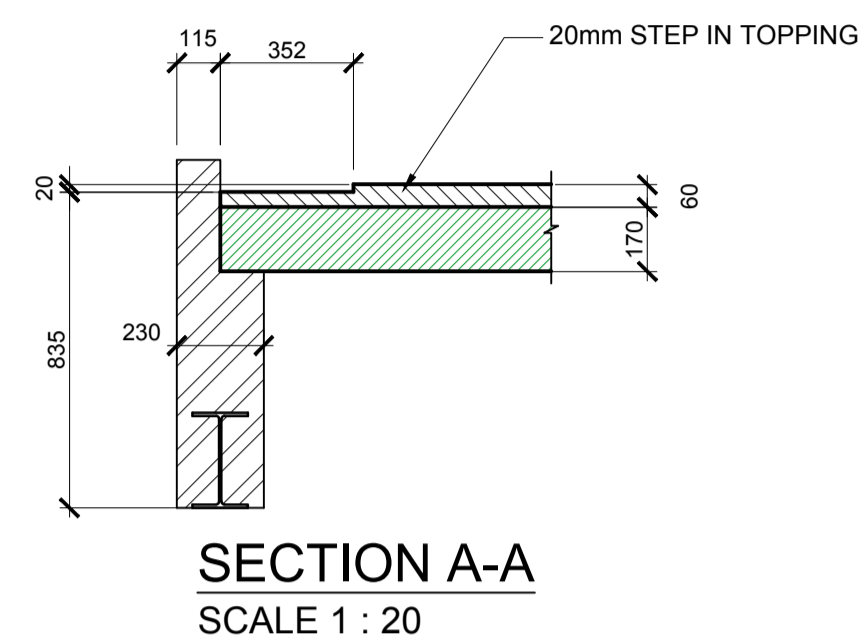


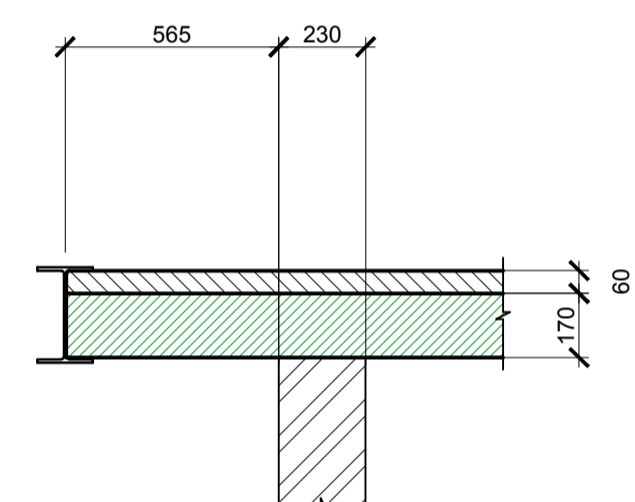
ISSUED FOR
TENDER
INFORMATION
ONLY



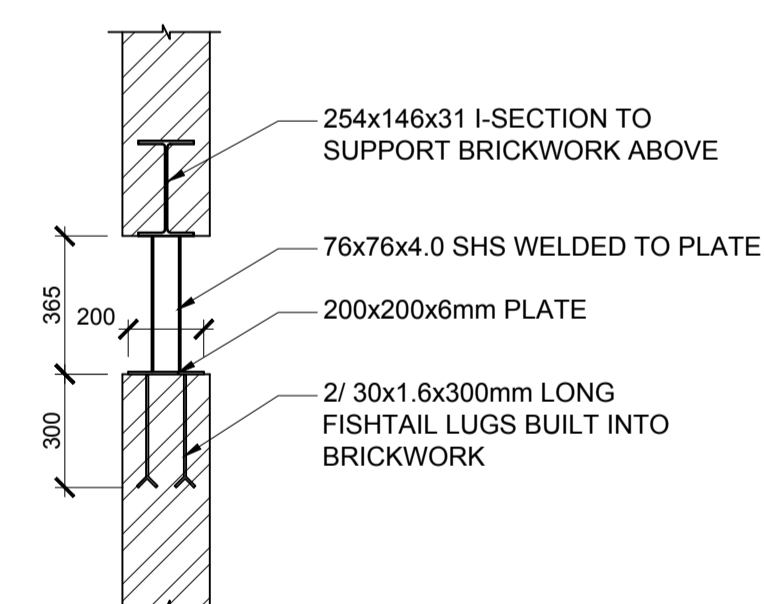
FIRST FLOOR SLAB LAYOUT
SCALE 1 : 50



SECTION A-A
SCALE 1 : 20



SECTION B-B
SCALE 1 : 20



SECTION THROUGH SHS
WINDOW SUPPORT
SCALE 1 : 20

No	Date	Revisions	Drawn
C	17/07/2018	AMENDED AS PER ARCHITECT'S REVISION	PAS
B	25/10/2017	DETAIL 1 ADDED	PAS
A	18/10/2017	FOR TENDER	PAS

CALIBRE.
Civil and Structural Engineering
011 463 2393 :Tel info@calibrece.co.za 011 463 2347 :Fax

Client
**THE UNIVERSITY OF THE
WITWATERSRAND.**

Architect
**LEMONpebble
architects**

Project
**ADDITIONS TO SBIMB
PHASE 2**

Drawing Title
**FIRST FLOOR LAYOUT &
SECTIONS**

	Designed	Date	Dwg/Size
Designed	JB	OCT 2017	A1
Drawn	PAS	OCT 2017	Scale
Checked			AS SHOWN
Approved			Status
			T

0986 - DRG - STR - D - 003

Revision: A B C