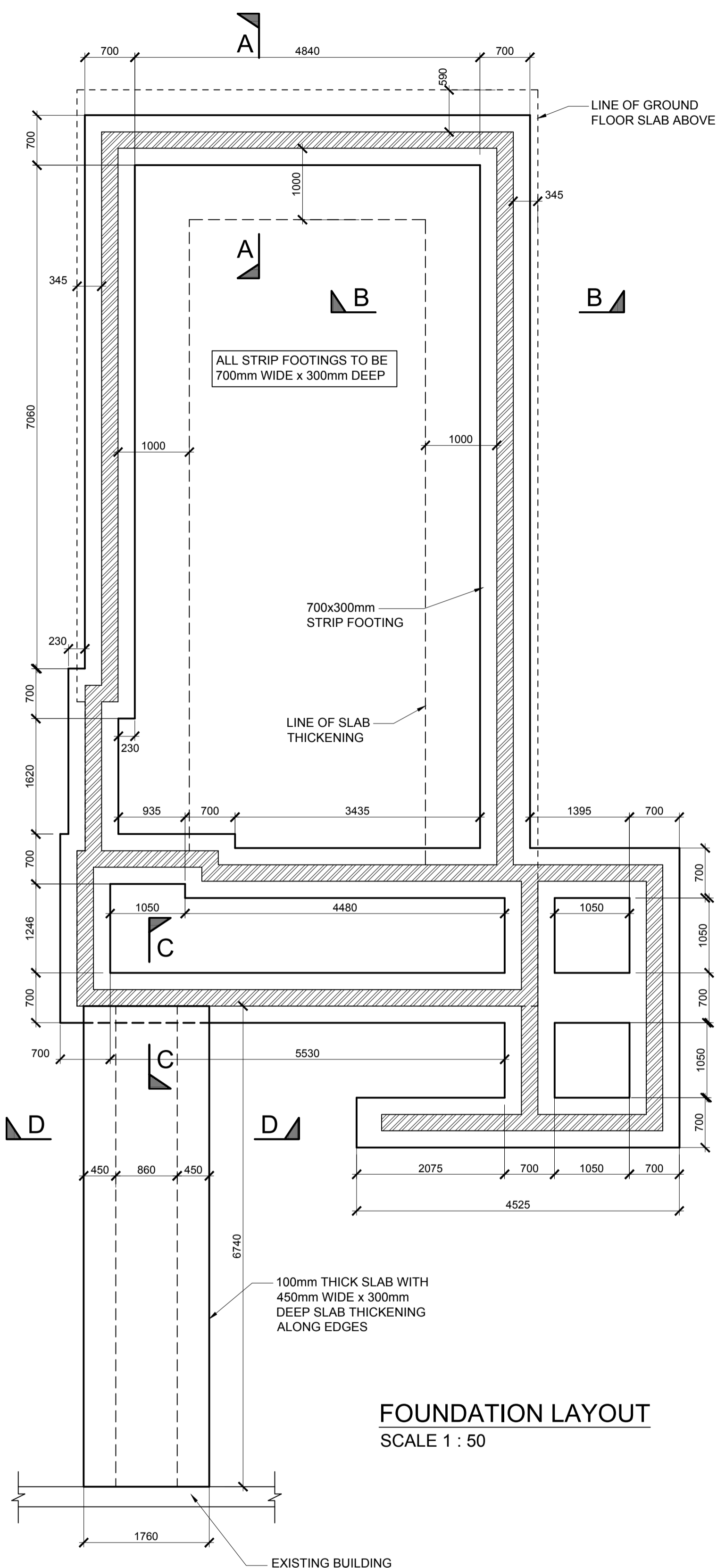
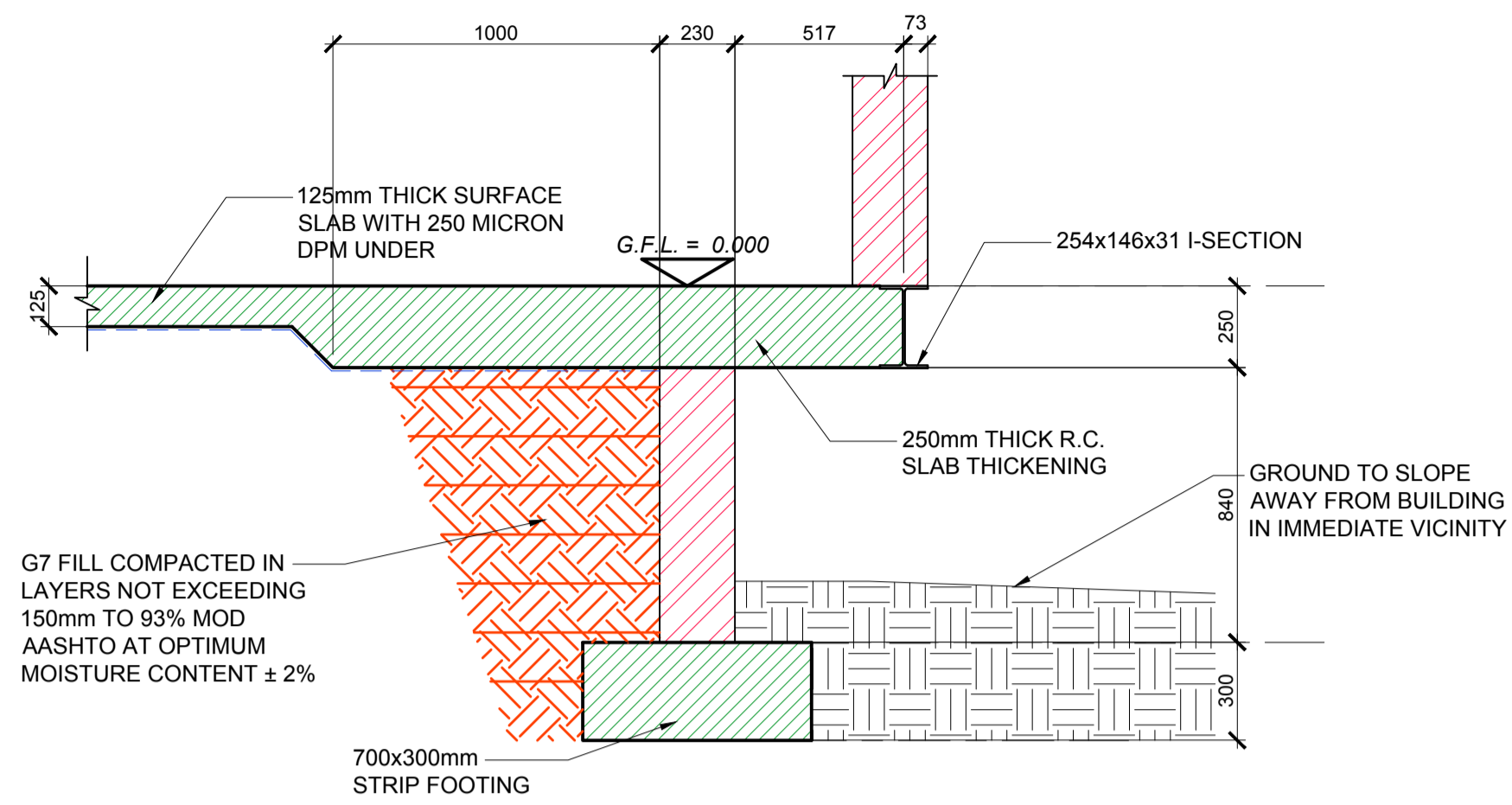


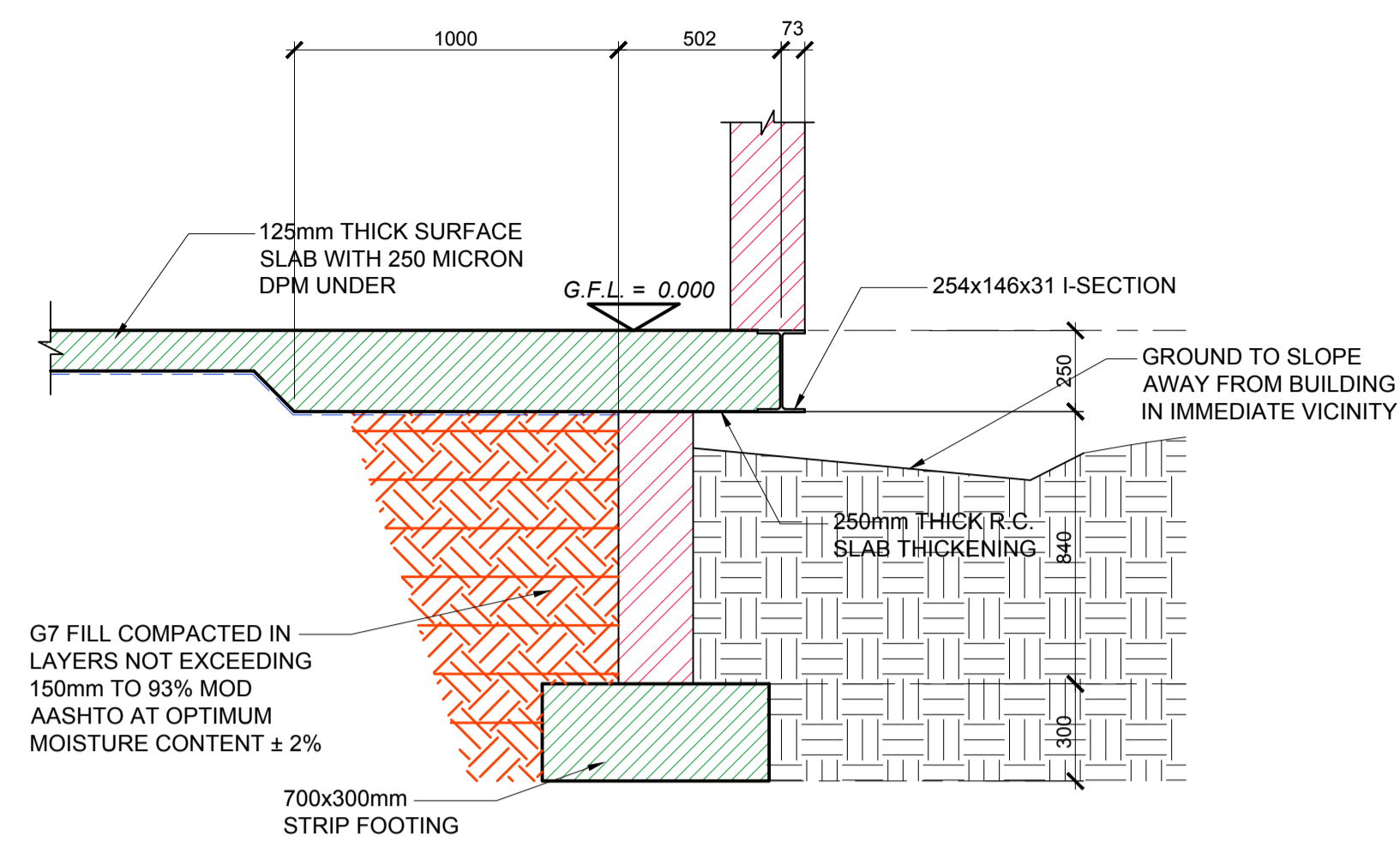
ISSUED FOR  
TENDER  
INFORMATION  
ONLY



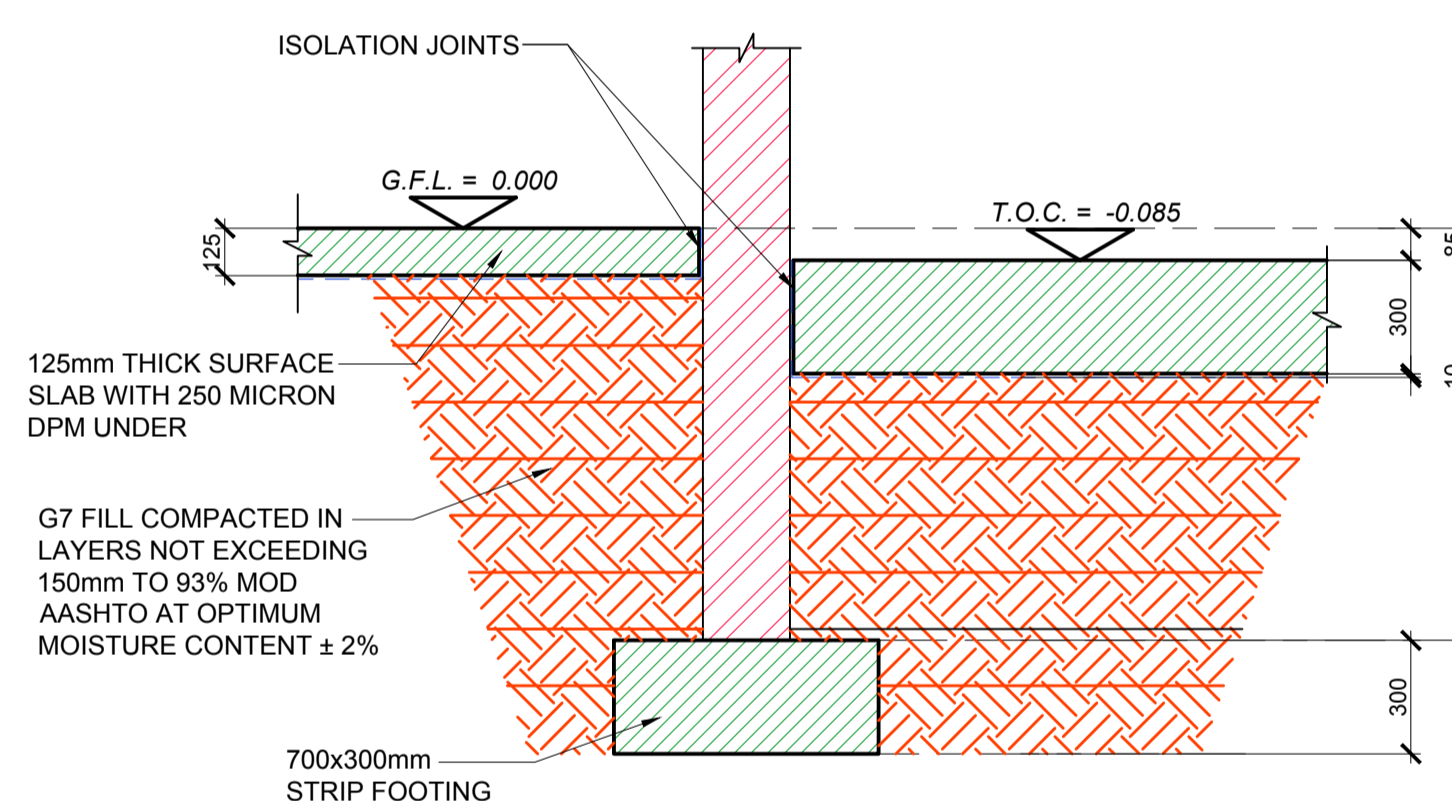
FOUNDATION LAYOUT  
SCALE 1 : 50



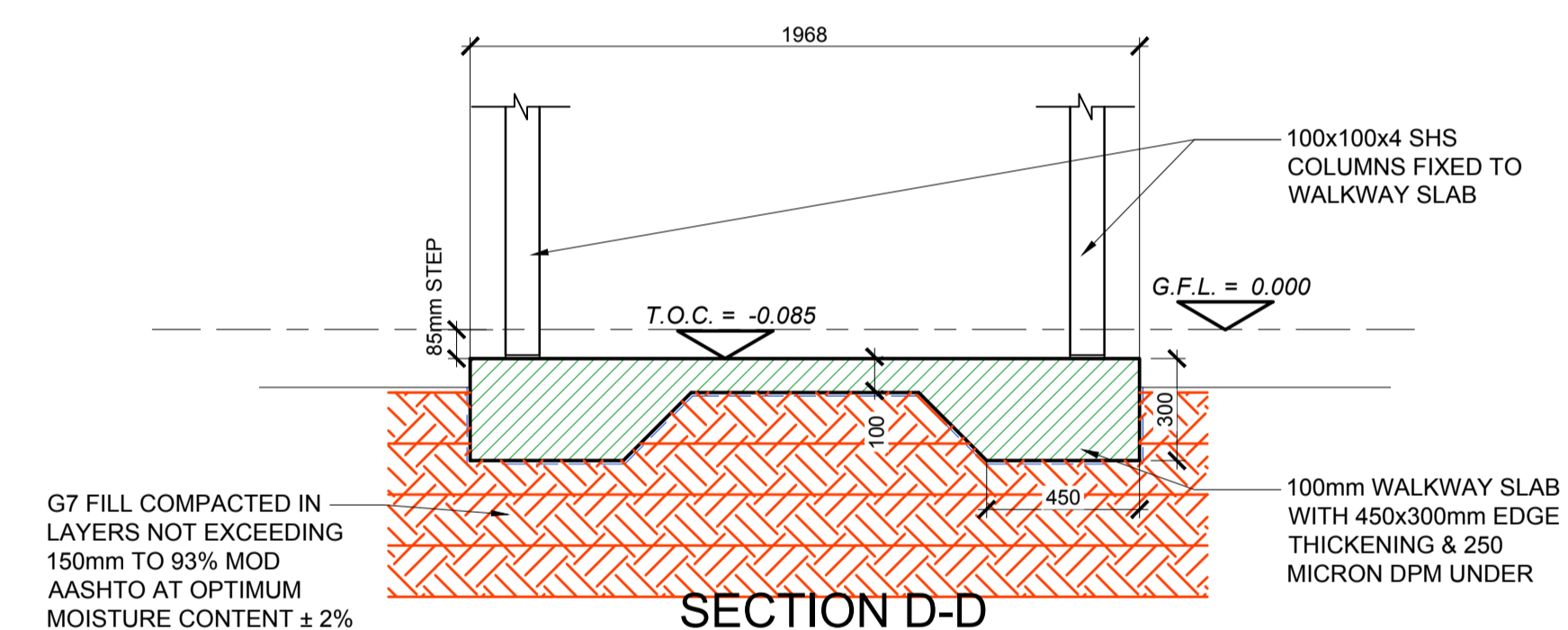
SECTION A-A  
SCALE 1 : 20



SECTION B-B  
SCALE 1 : 20



SECTION C-C  
SCALE 1 : 20



SECTION D-D  
SCALE 1 : 20

No	Date	Revisions	Drawn
C	20/07/2018	DIMENSIONS & WALKWAY AMENDED	PAS
B	17/07/2018	AMENDED AS PER ARCHITECT'S REVISION	PAS
A	18/10/2017	FOR TENDER	PAS

**CALIBRE.**  
Civil and Structural Engineering  
011 463 2393 :Tel info@calibre.co.za 011 463 2347 :Fax

Client  
**THE UNIVERSITY OF THE  
WITWATERSRAND.**

Architect  
**LEMONpebble  
architects**

Project  
**ADDITIONS TO SBIMB  
PHASE 2**

Drawing Title  
**FOUNDATION LAYOUT &  
SECTIONS**

	Designed	Date	Dwg/Size
Designed	JB	SEP 2017	A1
Drawn	PAS	SEP 2017	Scale
Checked			AS SHOWN
Approved			Status T

0986 - DRG - STR - D - 001

Revision							
	A	B	C				

Copyright Reserved