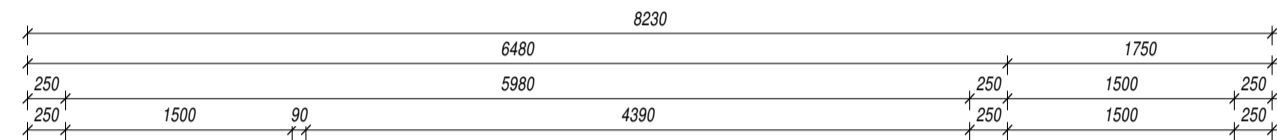
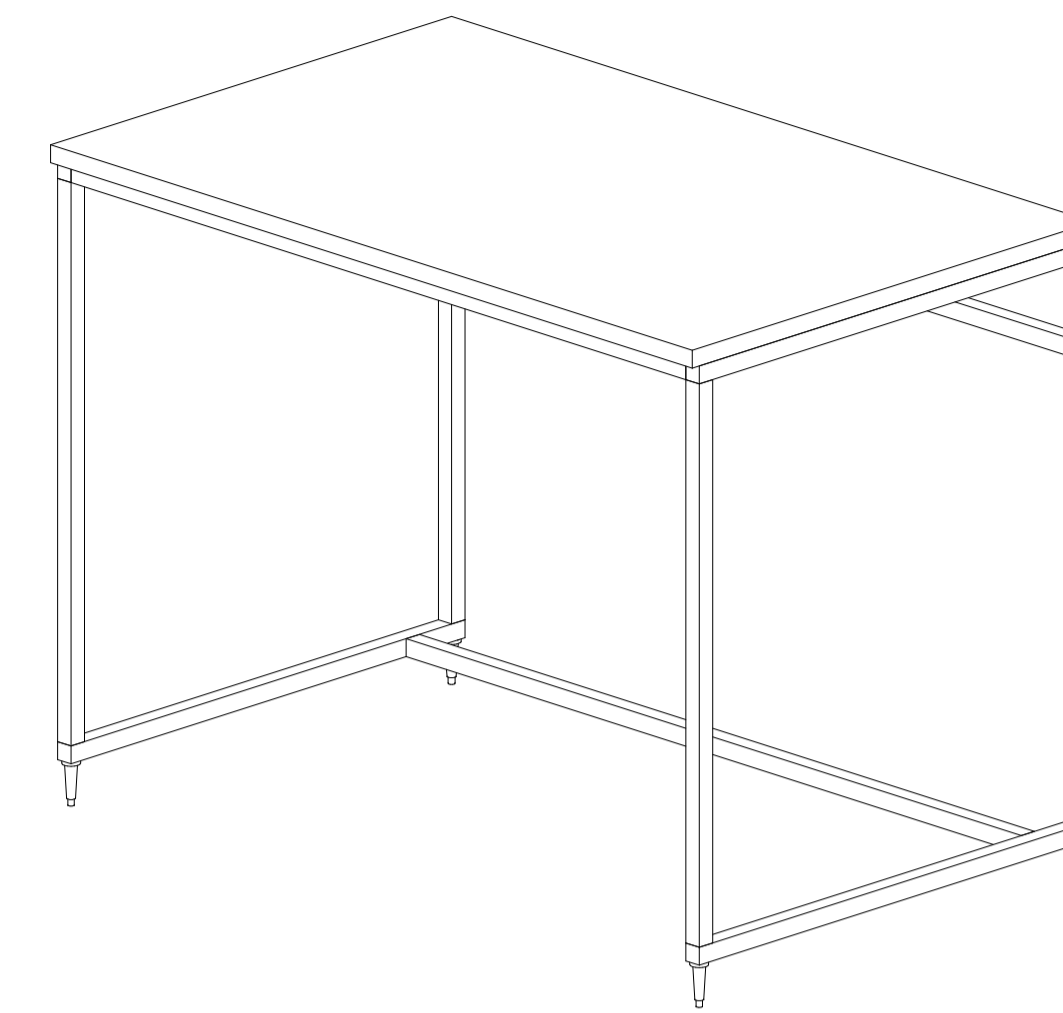
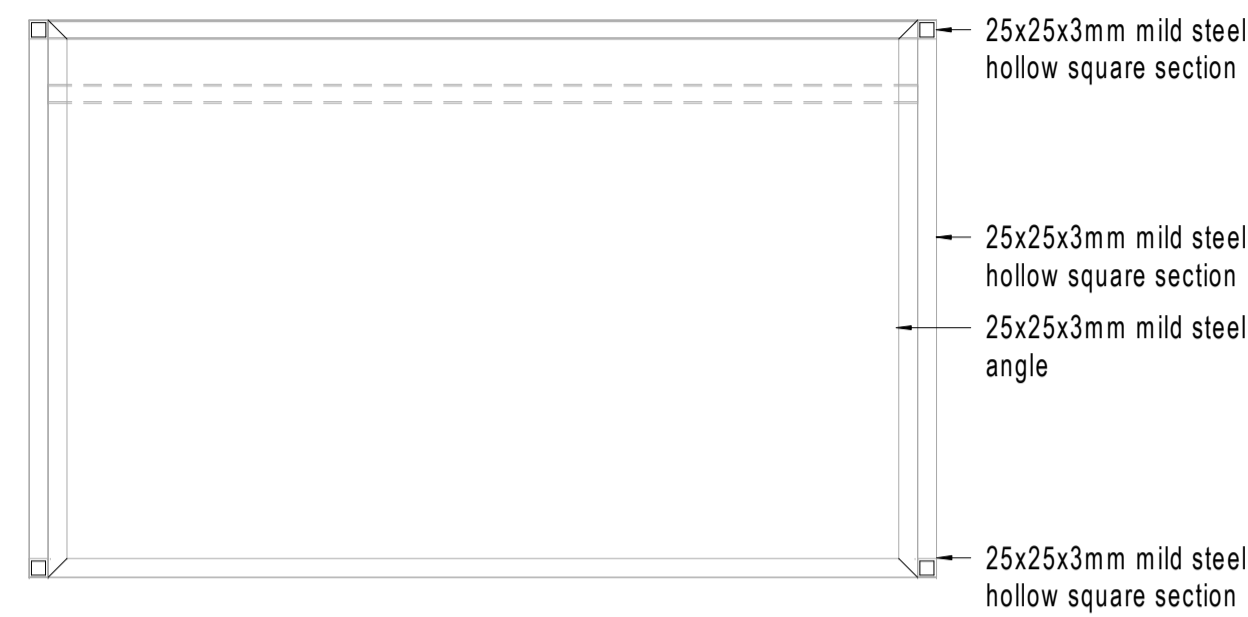
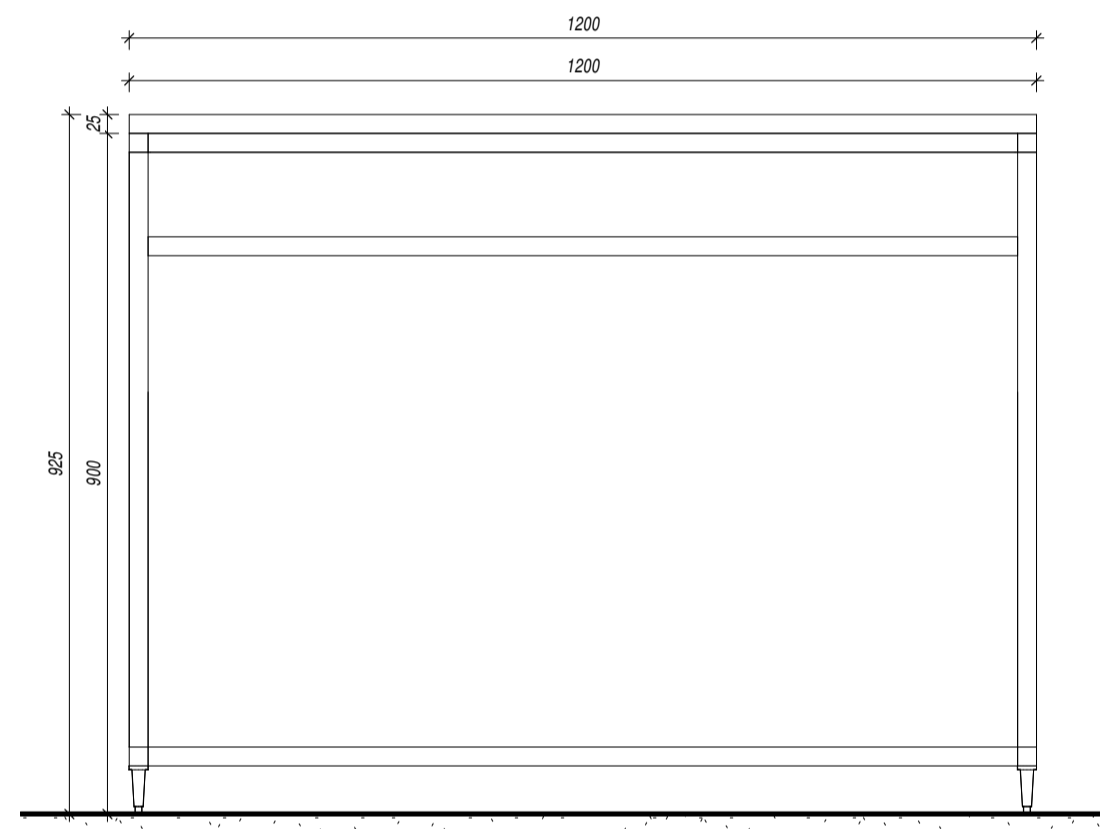


Workbenches	
Total	Type
3	900 X 600 X 900
11	1200 x 600 x 900
11	1500 X 600 X 900
25	

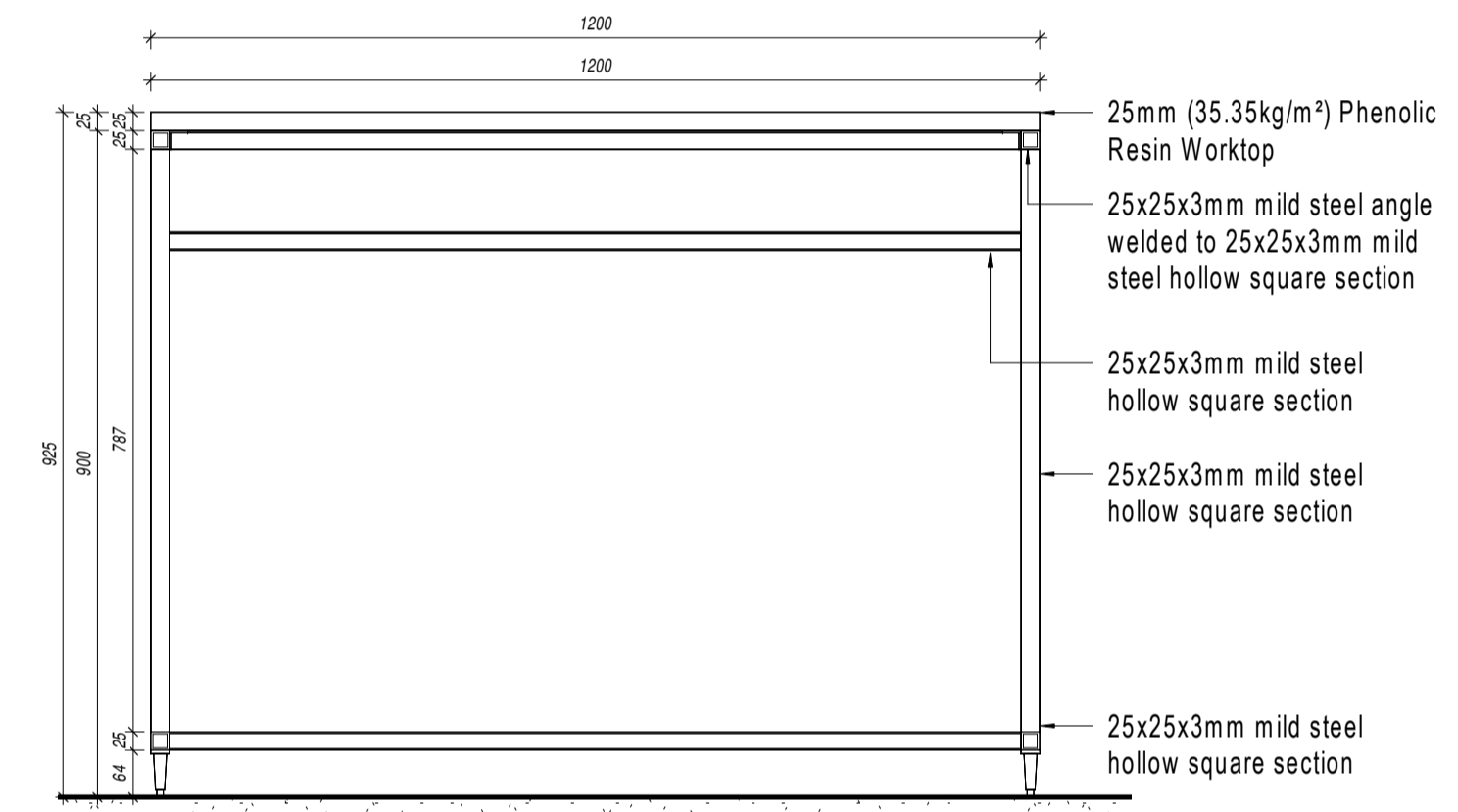
- workbench assembly (unfixed)**
- 25 mm Laboratory Grade Phenolic Resin Worktops to be mounted on customized mild steel frames as supplied by supplier. Countertop to be as per manufacturers specifications (ECLARIDON/SA-LAB or similar approved custom)
 - benches to be 900mm high with all steel sections welded together.
 - all steelwork to be epoxy powder coated. Colour to architects later spec.
 - benches to be level within the tolerances allowed for a laboratory.



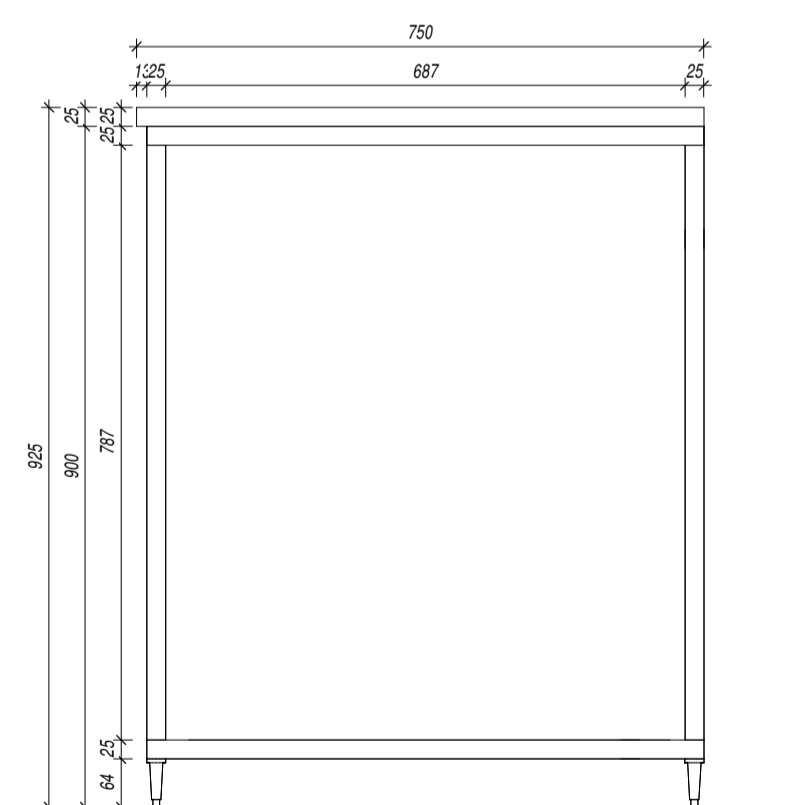
6 WORKBENCH PLAN
SCALE 1 : 10



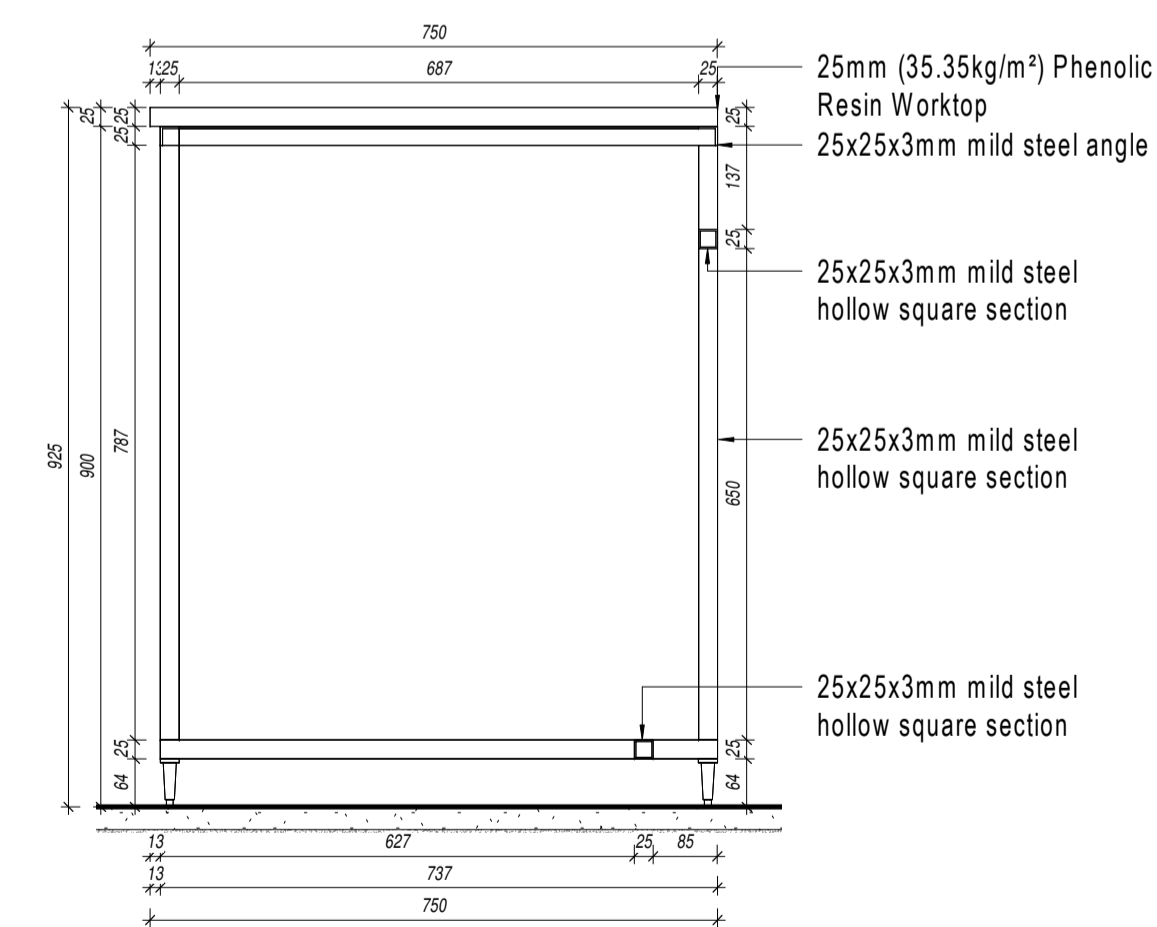
2 ELEVATION FRONT
SCALE 1 : 10



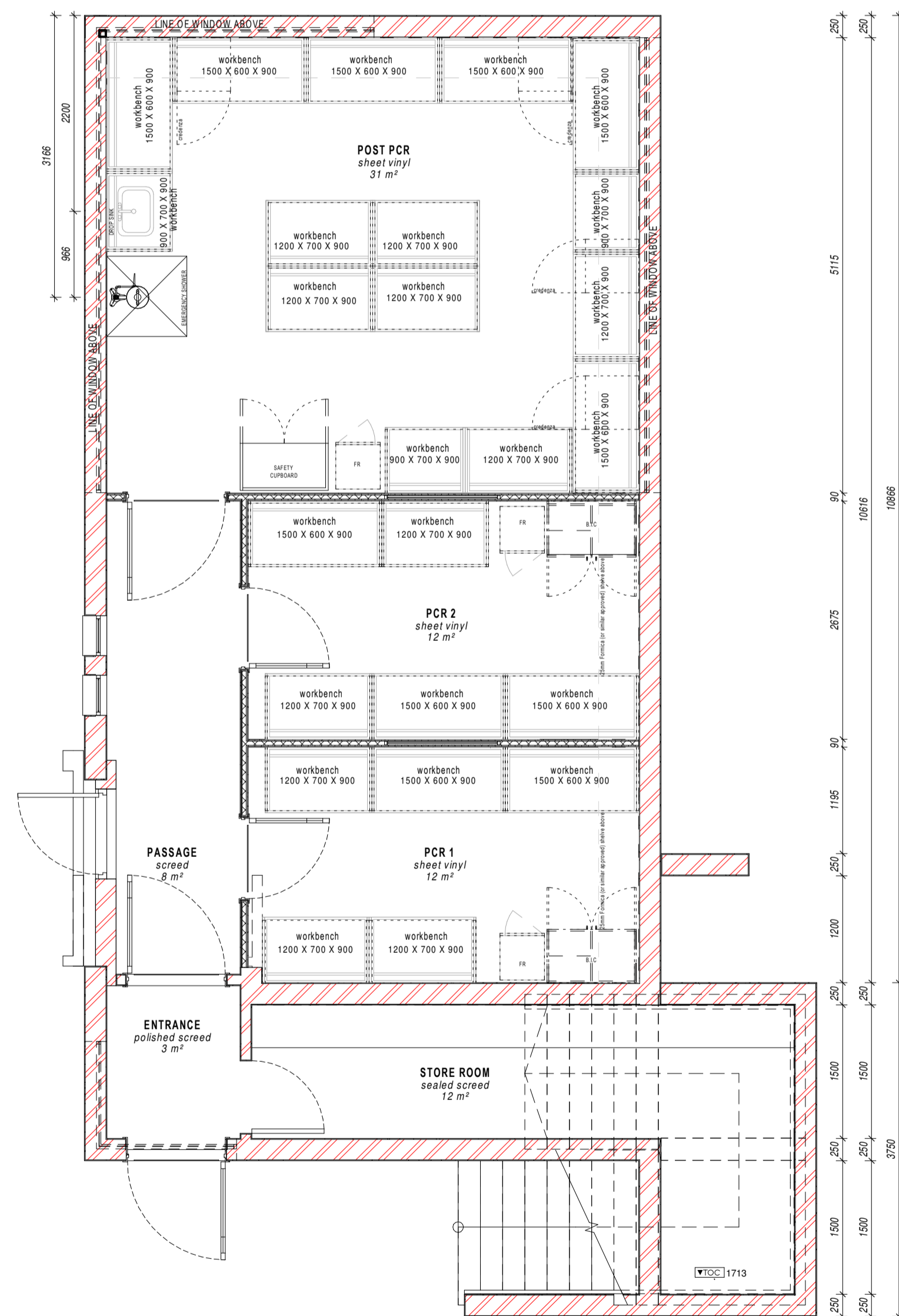
4 LONGITUDINAL SECTION
SCALE 1 : 10



3 ELEVATION SIDE
SCALE 1 : 10



5 CROSS SECTION
SCALE 1 : 10



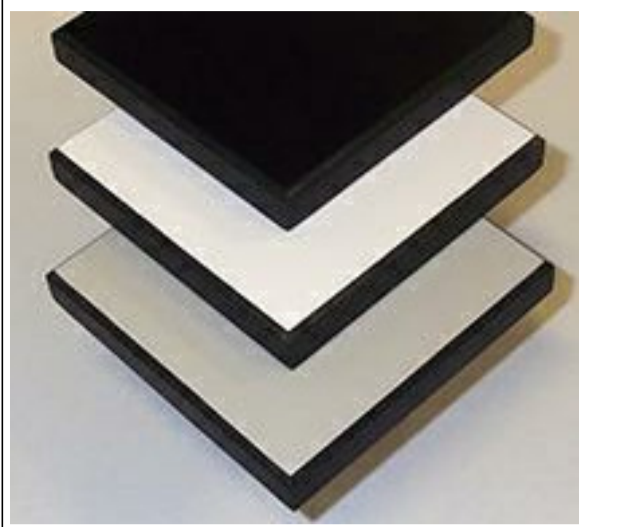
1 GROUND FLOOR PLAN
SCALE 1 : 50

NOTES:

COPYRIGHT AND RIGHT OF REPRODUCTION OF THIS DRAWING IS RESERVED BY THE ARCHITECT.

CHEMICAL RESISTANT SPC COLOURS

- Carbon Black
- Steel Grey
- Glacier White



NO	REVISION	DATE
A	ISSUED FOR TENDER	20/08/16

FOR TENDER PURPOSES

TENDER

LEMONpebble architects
Suite 109, 1st Floor, The Mills, 66 Carr Street, Newtown, Johannesburg.
P O Box 15813, Actonville, Benoni, 1506.
Tel: +27 11 492 0413 | Fax: +27 11 492 0323

UNIVERSITY OF THE WITWATERSRAND

UNIVERSITY OF THE WITWATERSRAND, JOHANNESBURG

PROPOSED NEW SBIMB LABORATORY
9 JUBILEE STREET
PARKTOWN, JOHANNESBURG

TYPICAL WORKBENCH

SCALE As indicated	DATE 180815	DRAWN nb	CHECKED tz
PROJECT NUMBER LPA-1704		REVISION A	
DRAWING NUMBER LPA-1704 - TD-400			